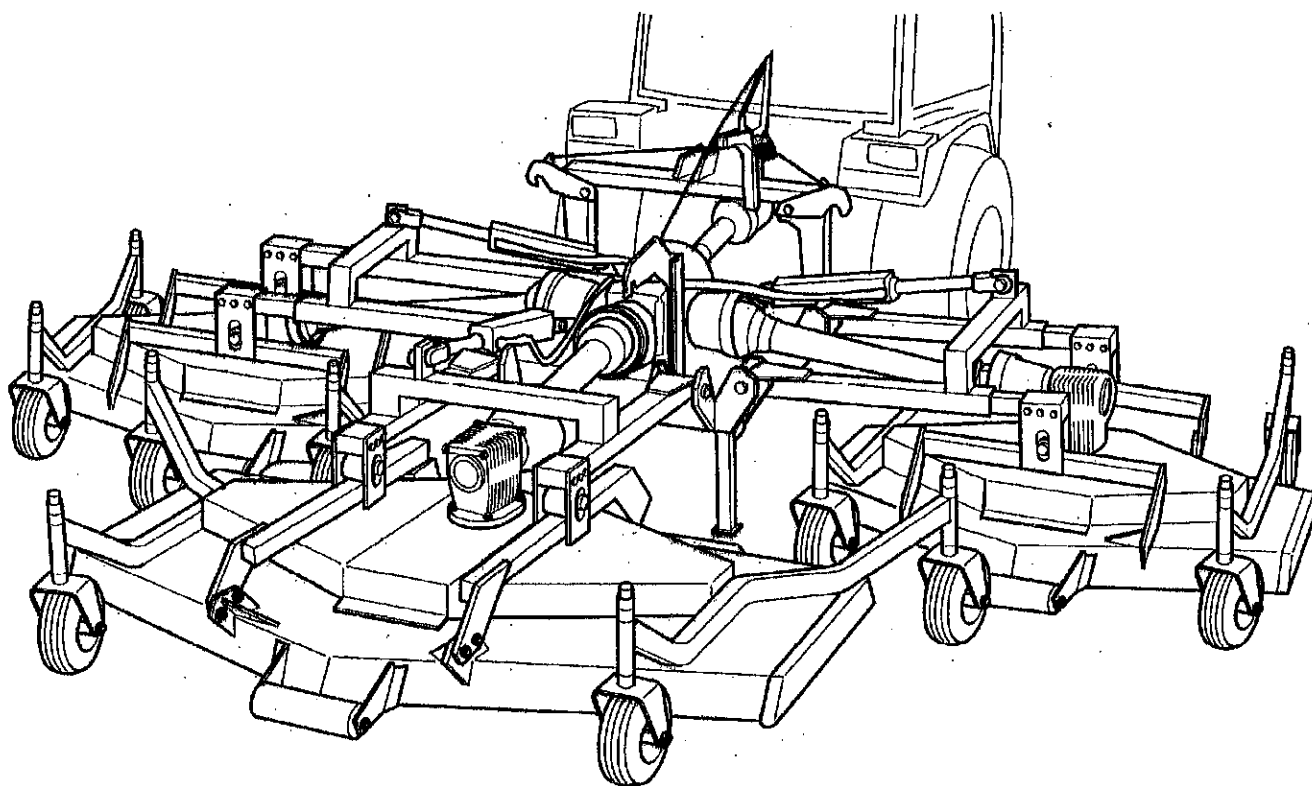


BEFCO[®]

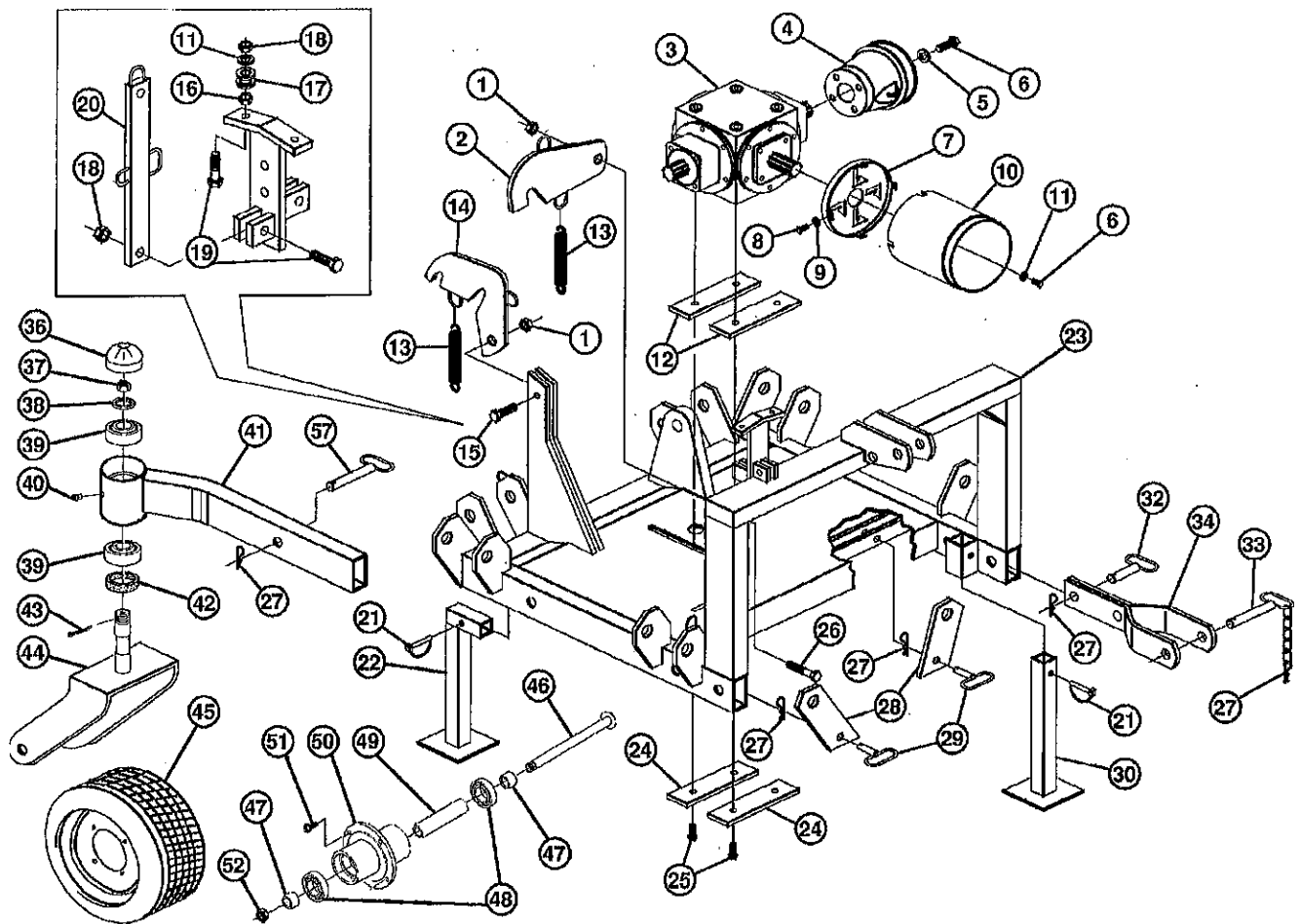
Parts Manual

CYCLONE EZ-FLEX

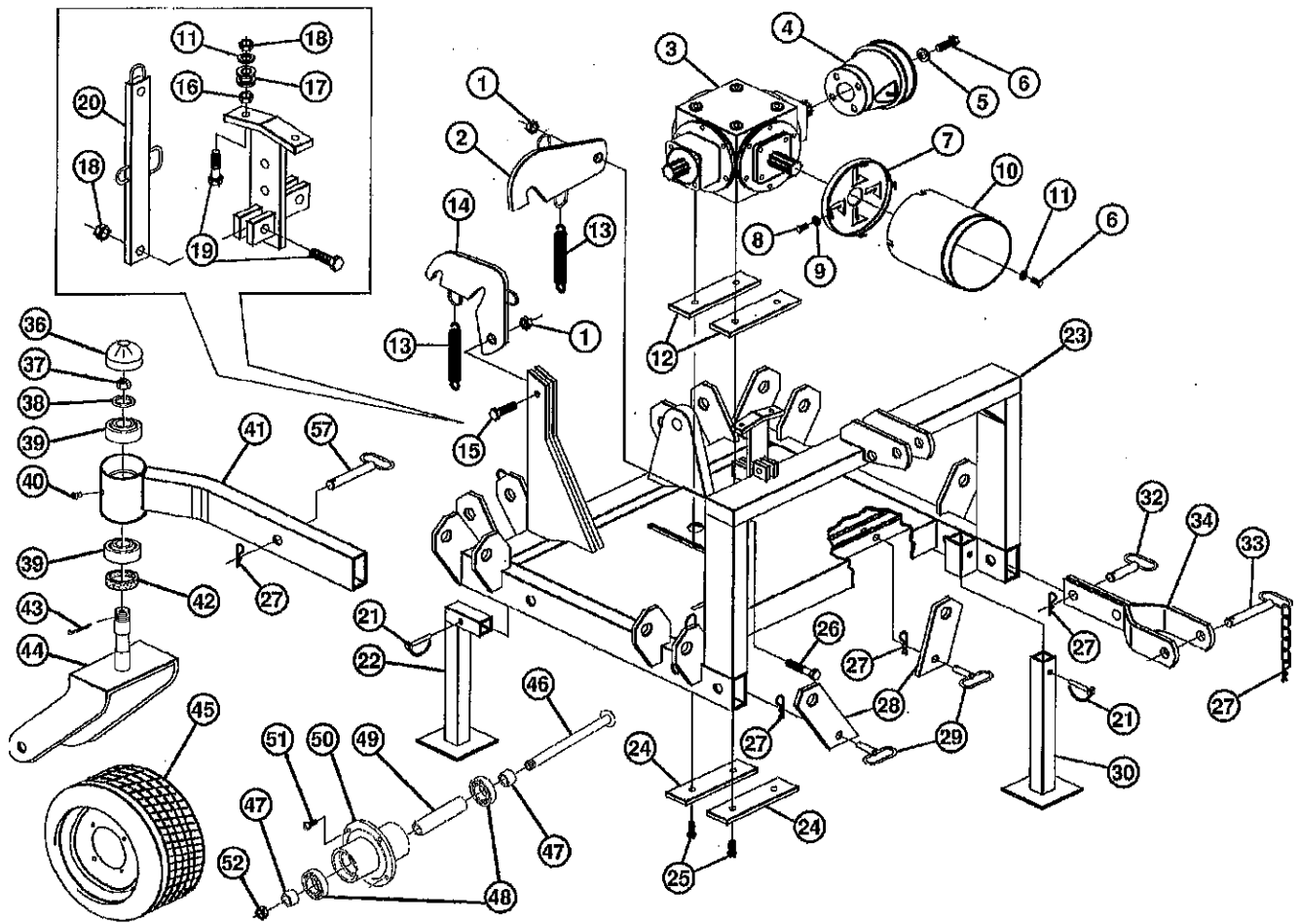
**Three Point Hitch Gang Grooming Mower
Front or Rear Mount
112-EZFA, 115-EZFA**



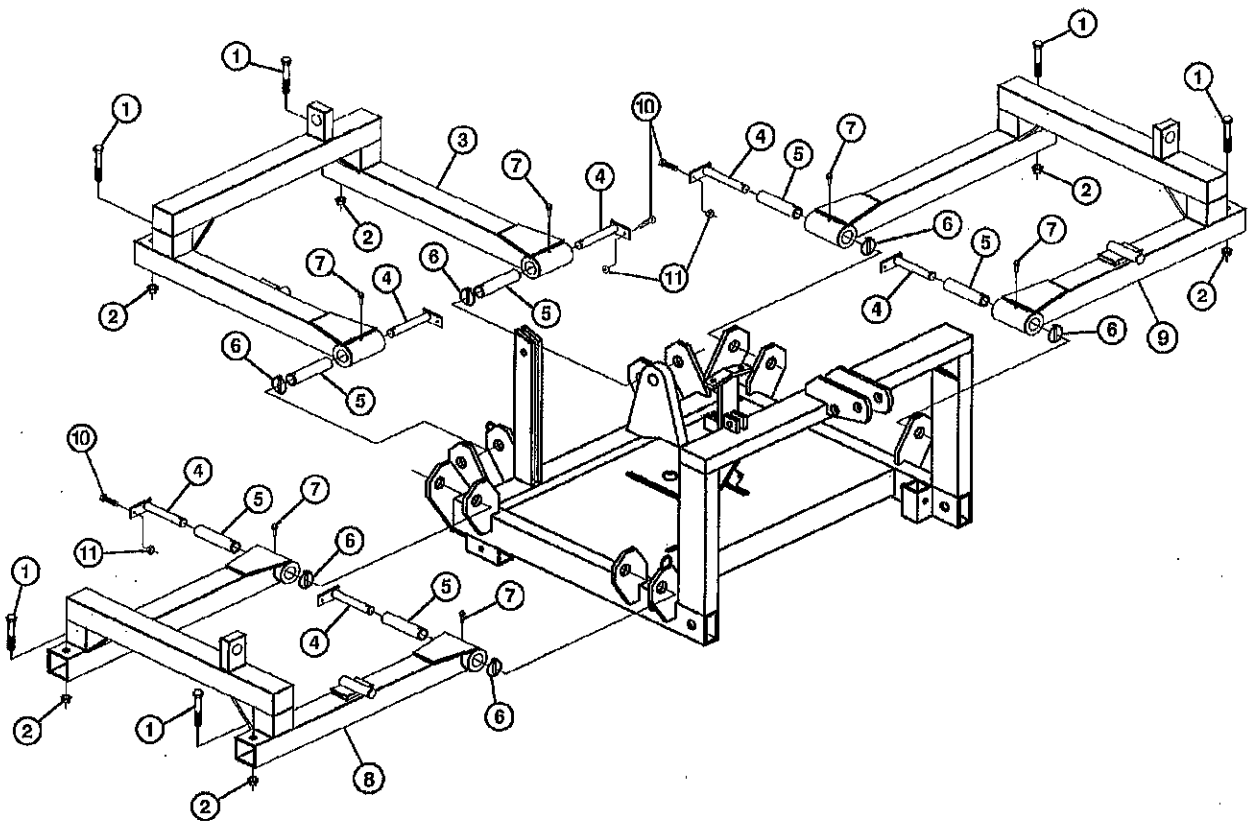
**Manual 971-176B
May 2009**



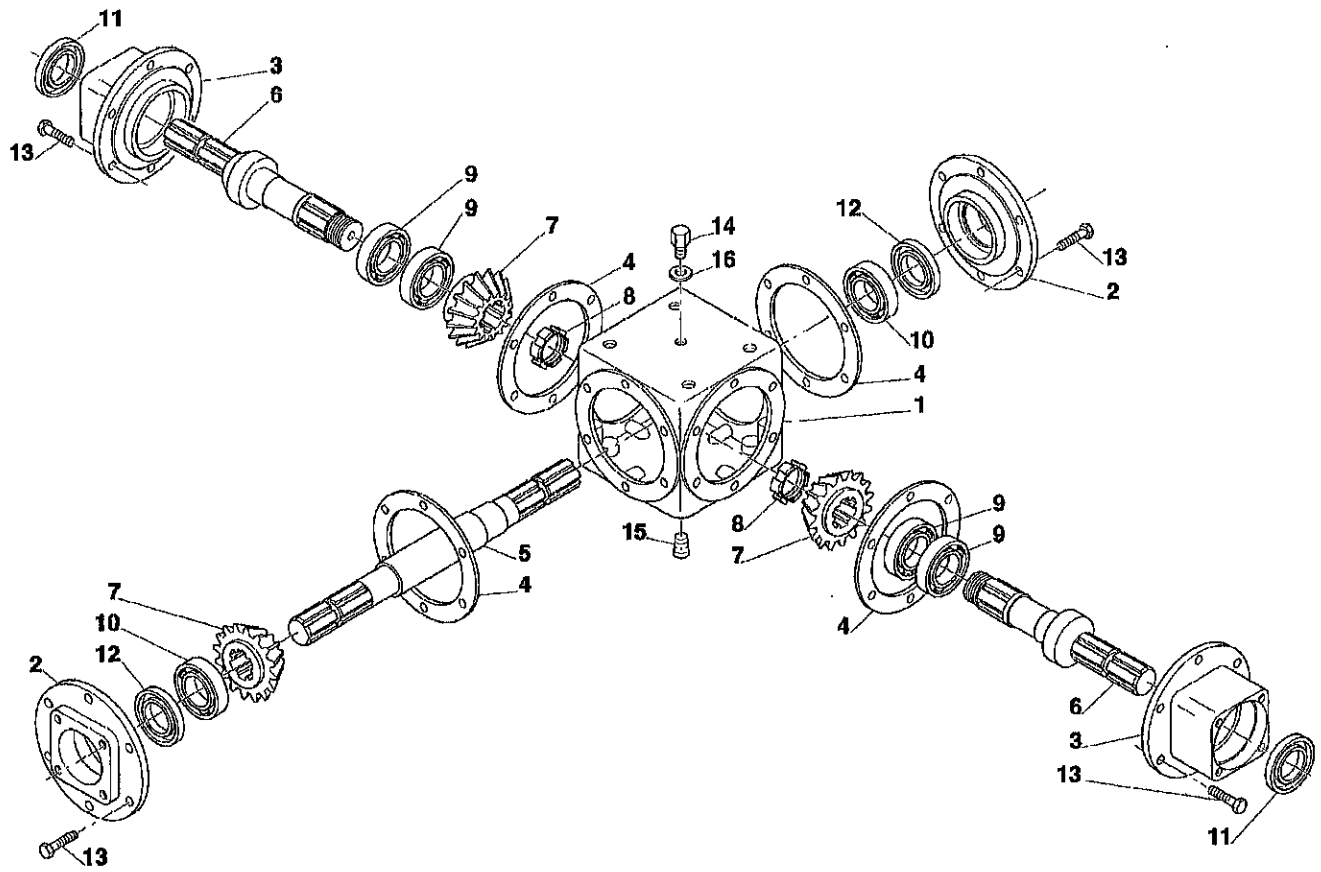
Ref.	Part #	Description	Qty.
1	000-5581	Nut M16	3
2	000-9721	Side transport hook	2
3	050-0617	Gearbox	1
4	000-8663	PTO shield	3
5	000-2034	Washer	12
6	009-2317	Bolt TE M10x16	12
7	001-1201	Shield support	1
8	001-1208	Bolt TE M6x12	4
9	001-1209	Flat washer Ø6	4
10	001-1207	PTO guard	1
11	003-0157	Flat washer Ø10	6
12	008-2256	Lower gearbox plate	2
13	005-1740	Spring	3
14	008-2219	Center transport hook	1
15	000-2365	Bolt TE M16x50	1
16	000-1279	Nut M10	2
17	000-9476	Nylon pulley	2
18	003-0156	Nut M10	3
19	003-0331	Bolt TE M10x50	3
20	008-2202	Handle	1
21	001-1333	Lynch pin	4
22	008-2098	Rear stand; # 263242 & below	2
	018-2106	Rear right stand; # 263243 & above	1
	028-2106	Rear left stand; # 263243 & above	1
23	008-2012	Frame; # 267889 & below	1
	008-2611	Frame; # 267890 & above	1
24	008-2258	Upper gearbox plate	2
25	002-3265	Bolt TE M12x40	4
26	009-1038	Bolt TE M16x50	2
27	009-1507	'R' clip	10
28	008-2232	Cylinder hitch plate	2
29	000-9201	Pin	2
30	008-2093	Front stand; # 267889 & below	2
	008-2695	Front stand; # 267890 & above	2
32	008-2075	Hitch pin; # 267889 & below	2
	000-8501	Hitch pin; # 267890 & above	4
33	003-8346	Hitch pin; # 267889 & below	2
	008-2681	Hitch pin; # 267890 & above	2
34	008-2072	Hitch block; # 267889 & below	2
	008-2671	Hitch block; # 267890 & above	2
36	008-2530	Zinc plated hub cap	2
37	000-5573	Nut M27	2
38	001-4425	Flat washer Ø27	2
39	005-8472	Bearing 30206	4
40	000-1065	Grease fitting	2
41	008-3091	Hitch arm	2
42	008-5129	Oil seal 40.62.10	2
43	000-5638	Cotter pin Ø5x50	2
44	008-2532	Wheel yoke	2
45	502-117B	Wheel	2



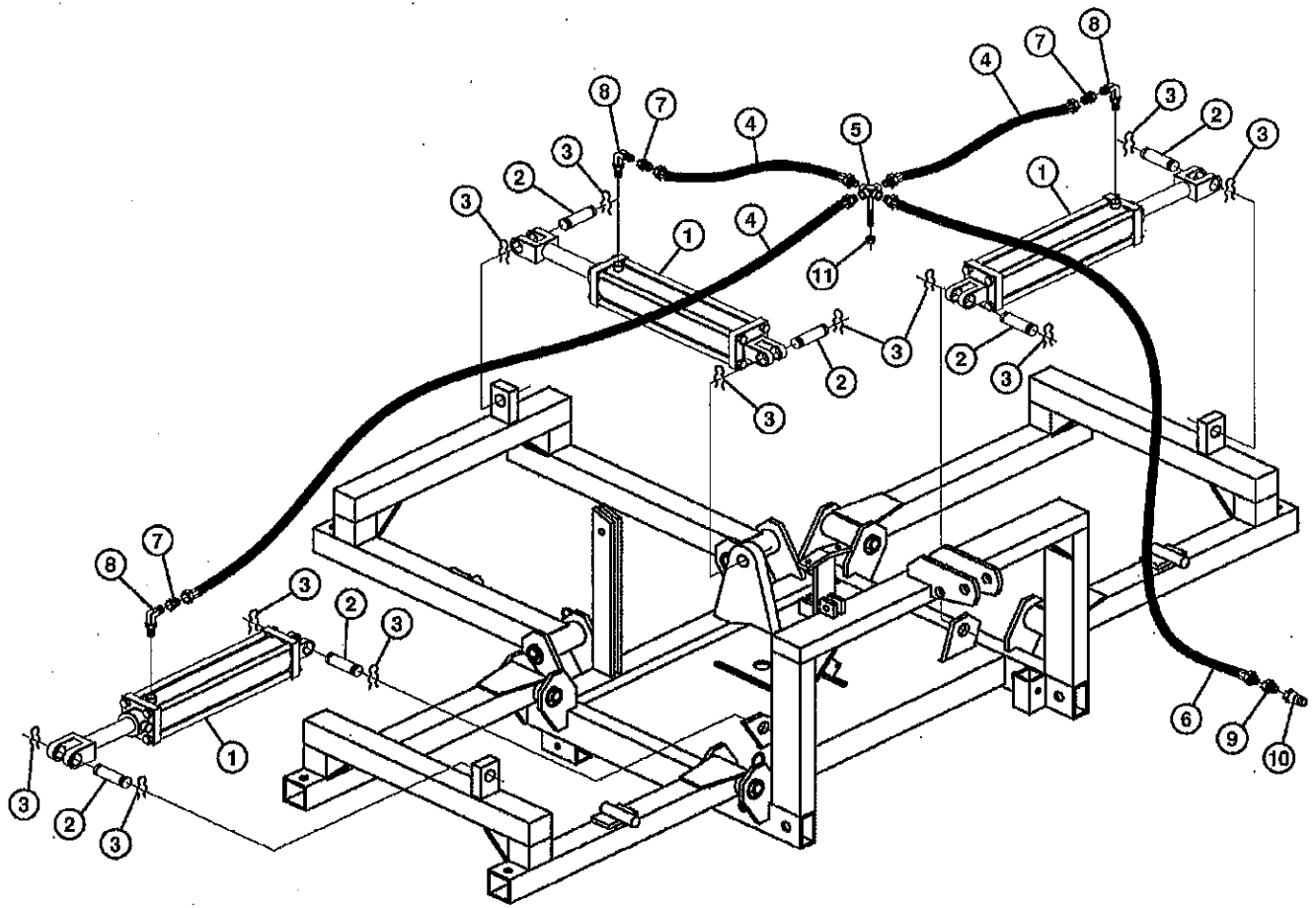
Ref.	Part #	Description	Qty.
46	008-2555	Wheel shaft	2
47	008-2550	Outer spacer	4
48	008-2546	Bearing 6305-2RS	4
49	008-2548	Inner spacer	2
50	008-2541	Wheel hub	2
51	503-486B	Bolt	8
52	000-6698	Nut M25	2
57	008-3095	Pin	2
	950-109B	Decal "DANGER - Avoid injury from PTO"	4
	950-111B	Decal "CAUTION - To avoid serious injury"	1
	950-818B	Decal "DANGER - Rotating blades; Thrown objects"	6
	950-406B	Decal "WARNING - Falling off"	1
	950-407B	Decal "WARNING - Crushing and pinching hazard"	1
	950-408B	Decal "WARNING - High pressure hydraulic oil leaks "	3
	950-366B	Red reflective decal	6
	950-106B	Decal "BEFCO" small	3
	950-298B	Decal "Cyclone" small	6
	950-314B	Decal "C28"	3
	950-305B	Decal "EZ4"	1
	950-306B	Decal "EZ5"	1
	950-310B	Decal "EZ6"	1
	950-381B	Decal "BEFCO INC" address	1
	971-175B	Operator's Manual "Cyclone Ez-Flex"	1
	971-176B	Parts Manual "Cyclone Ez-Flex"	1



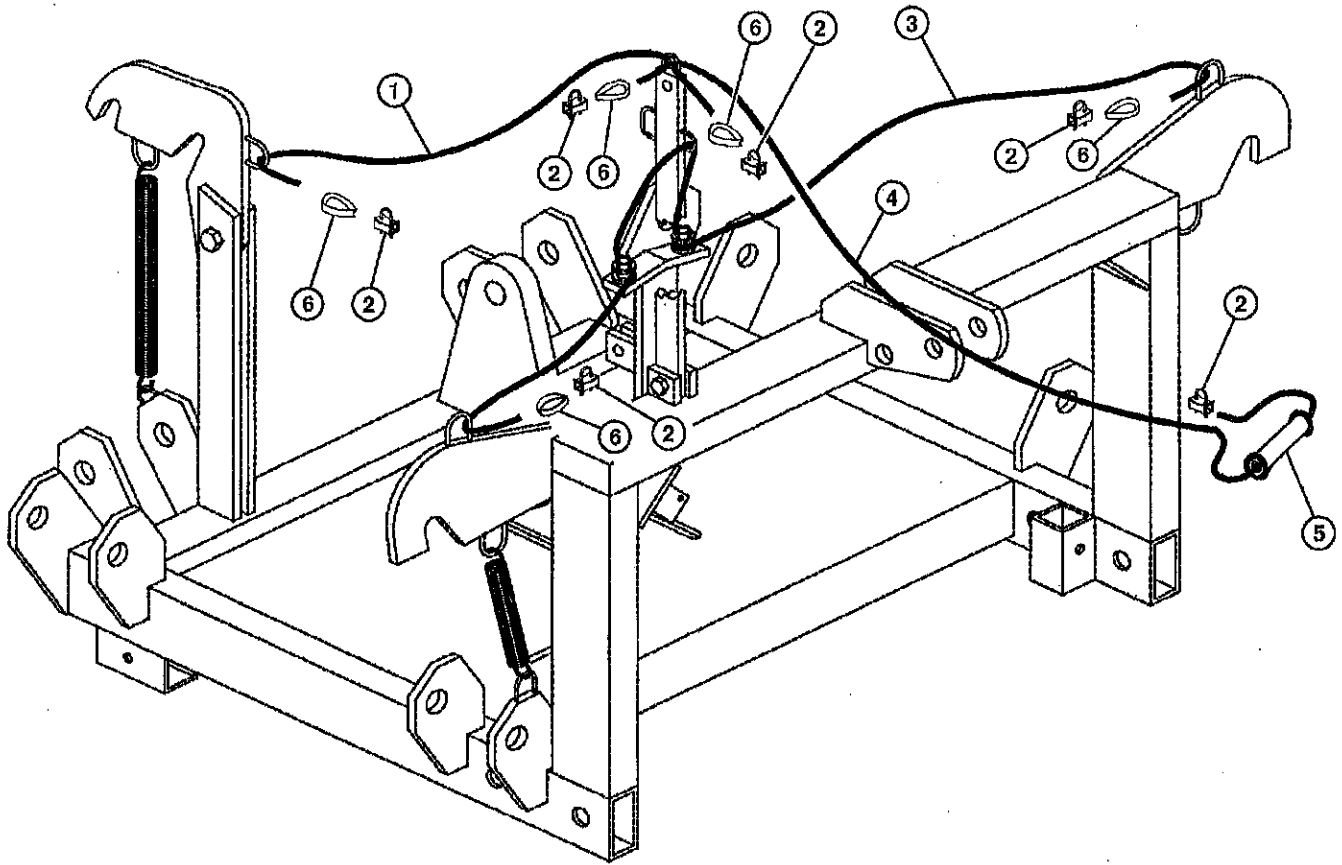
Ref.	Part #	Description	Qty.
1	009-1495	Bolt TE M12x80	6
2	003-0064	Nut M12	6
3	008-2145	Central lift	1
4	008-2112	Pin; # 267889 & below	6
	008-2703	Pin; # 267890 & above	6
5	008-2123	Bushing	6
6	001-8266	Lynch pin; # 267889 & below	6
7	000-1065	Grease fitting	6
8	018-2126	Right lift side	1
9	028-2126	Left lift side	1
10	009-1446	Bolt TE M8x25	6
11	009-1384	Nut M8	6



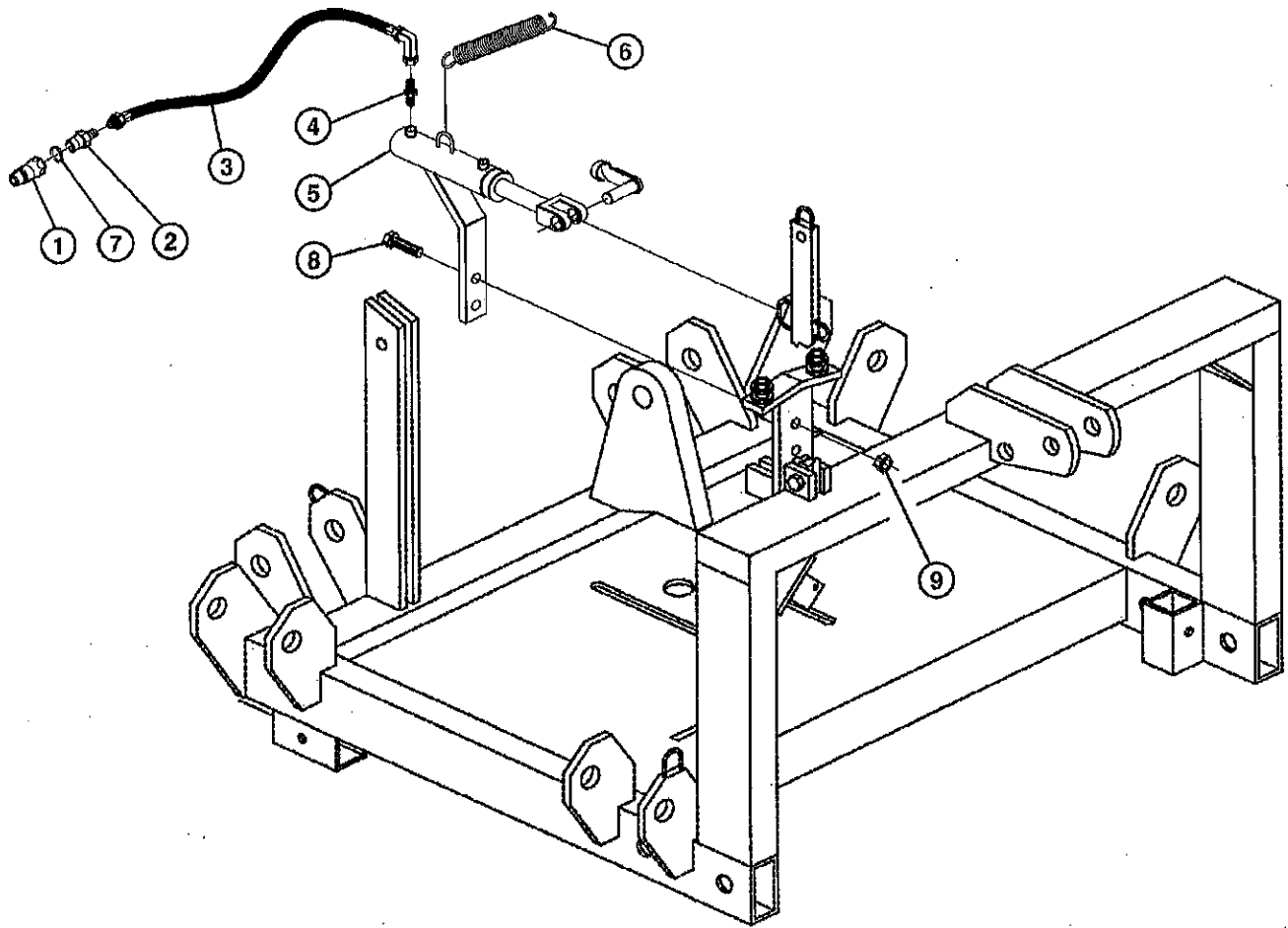
Ref.	Part #	Description	Qty.
1	000-9970	Gearbox housing	1
2	000-9971	Front cover	2
3	000-9972	Lateral support	2
4	003-0193	Gasket	-
	013-0193	Gasket	-
5	000-9975	Input shaft	1
6	000-9976	Input shaft	2
7	000-9973	Ring gear	3
8	003-7098	Safety nut M35x1.5	2
9	003-0201	Bearing 30208	4
10	000-7172	Bearing 30207	2
11	000-7094	Oil seal 52.85.10	2
12	000-9974	Oil seal 35.55.10	2
13	000-1241	Bolt TE M10x25	24
14	000-1107A	Breather cap	1
15	005-3446	Cap	1
16	000-6691	Gasket	2
	050-0617	Gearbox complete	-



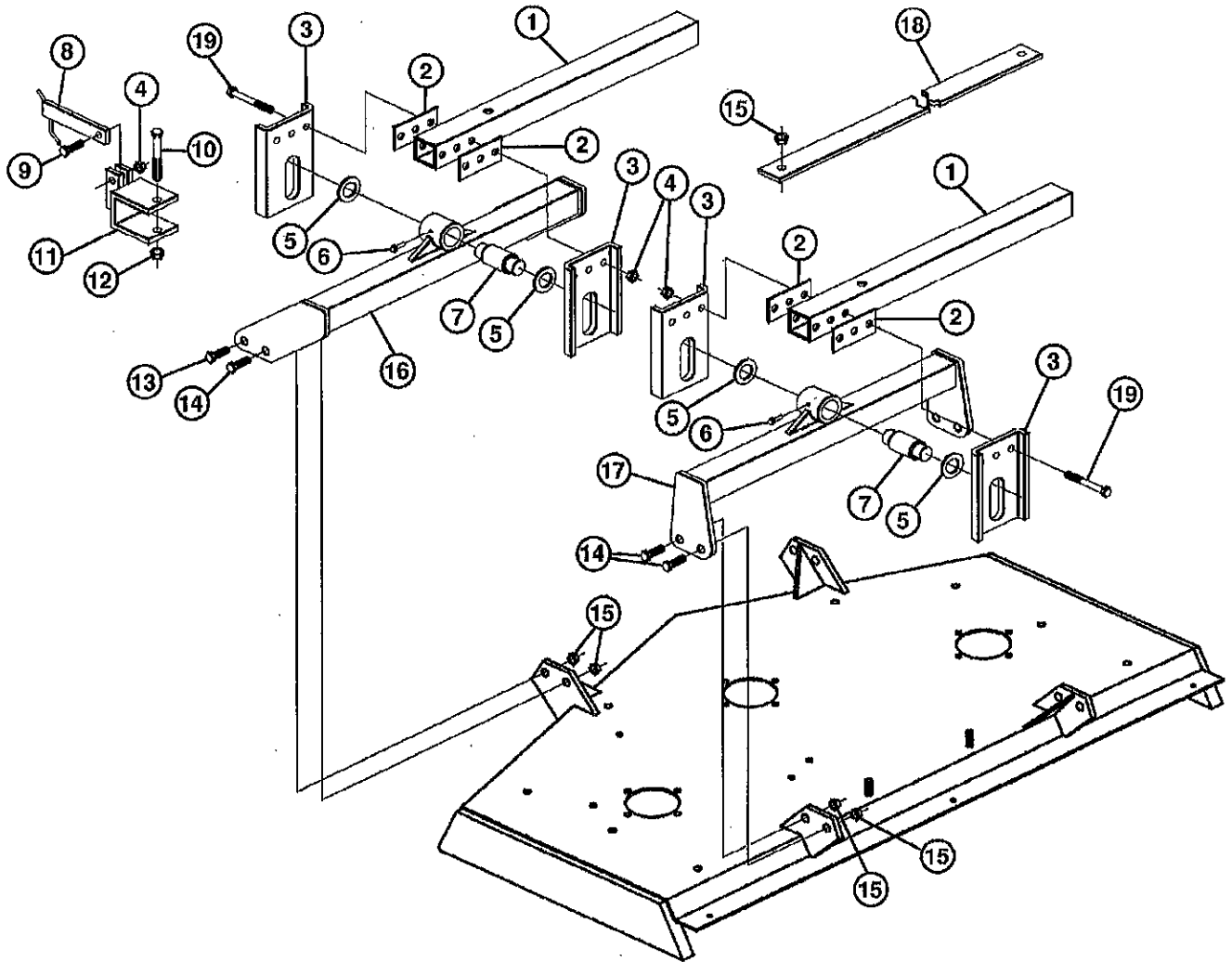
Ref.	Part #	Description	Qty.
1	503-034B	Hydraulic cylinder	3
	502-757B	Repair kit for cylinder 503-034B	-
2	502-171B	Cylinder pin	6
3	502-172B	Clip pin	12
4	008-2275	Hose to decks	3
5	008-2285	4-way tee	1
6	502-167B	Hose to tractor	1
7	502-164B	Restrictor	3
8	502-163B	Elbow	3
9	502-169B	Connector	1
10	502-170B	Quick coupler	1
11	000-3038	Nut M12	1



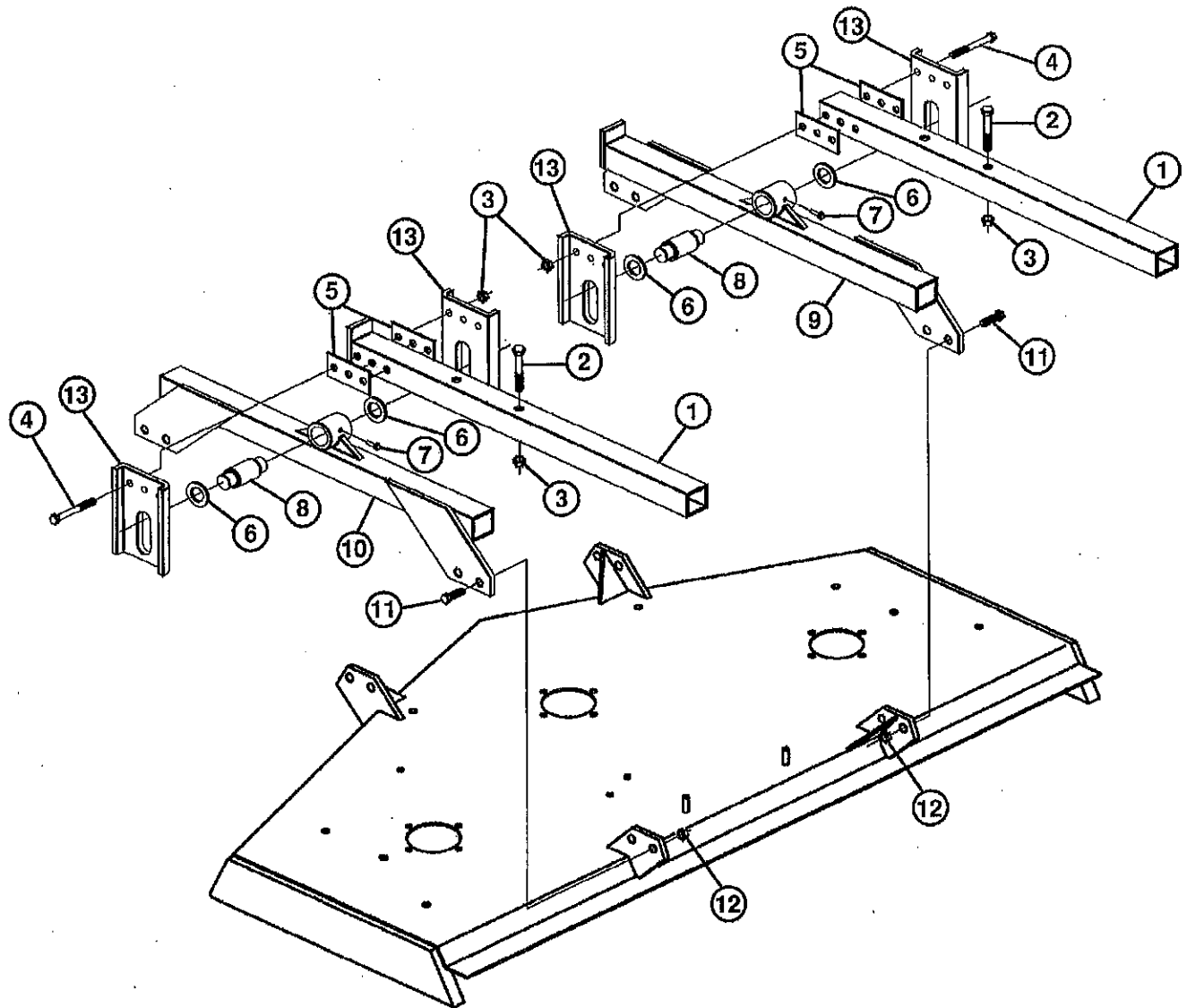
Ref.	Part #	Description	Qty.
1	008-2294	Rear rope; # 267889 & below	1
	008-2881	Rear rope (wire); # 267890 & above	1
2	000-9757	"U" clamp complete; # 267889 & below	6
	005-8224	"U" clamp complete; # 267890 & above	6
3	008-2292	Side rope; # 267889 & below	1
	008-2880	Side rope (wire); # 267890 & above	1
4	008-2296	Front rope; # 267889 & below	1
	005-8222	Front rope (wire); # 267890 & above	1
5	005-8228	Turning handle	1
6	005-8225	Wire loop; # 267890 & above	5



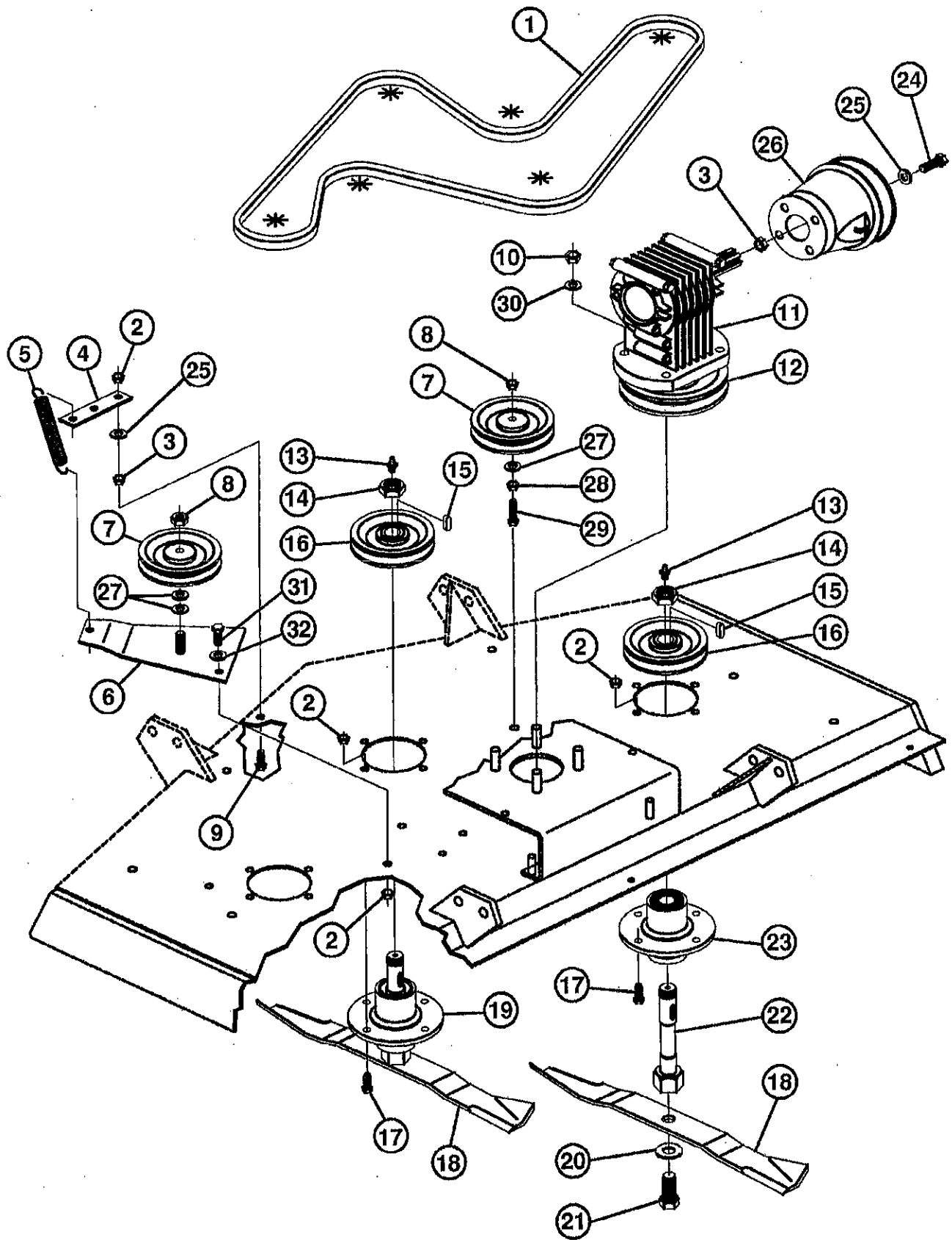
Ref.	Part #	Description	Qty.
1	004-1871	Quick connect	1
2	008-2488	Nipple	1
3	008-2486	Hose - unlock kit	1
4	008-2484	Nipple	1
5	008-2475	Hydraulic cylinder	1
6	005-1740	Spring	1
7	003-6532	Copper washer	1
8	009-1281	Bolt TE M10x35	2
9	003-0156	Nut M10	2
	009-9593	Hydraulic unlock kit complete EZF-112 & EZF-115 (Option)	-



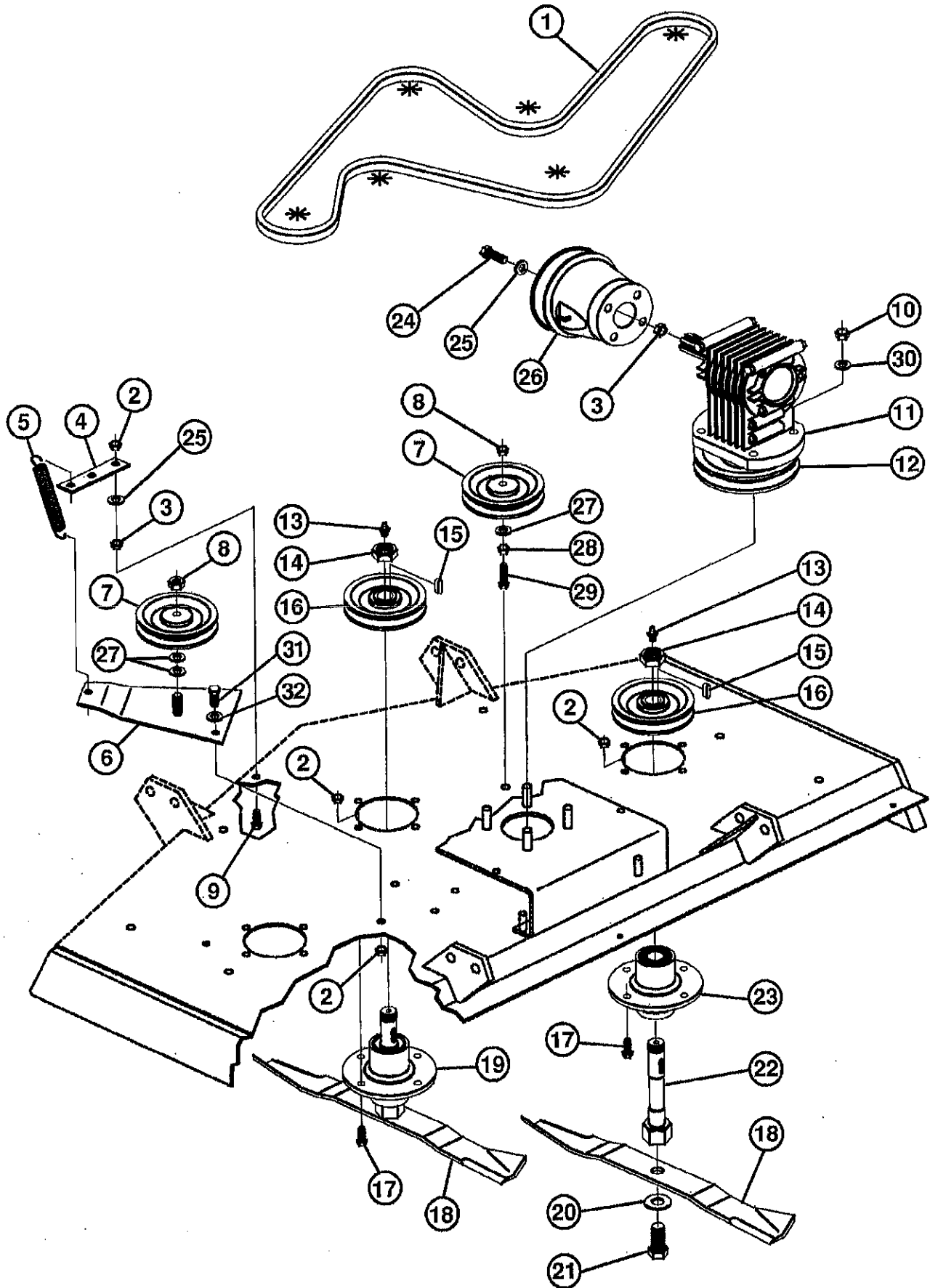
Ref.	Part #	Description	Qty.
1	008-2166	Lift arm EZF-112	2
	008-2755	Lift arm EZF-115	2
2	008-2174	Lift arm shim	4
3	008-2176	Coupling plate	4
4	003-0064	Nut M12	7
5	000-3056	Shim	4
6	000-1065	Grease fitting	2
7	005-8333	Coupling pin	2
8	000-9825	Transport lock	1
9	000-7716	Bolt TE M12x45	1
10	001-5236	Bolt TE M10x80	1
11	008-2452	Transport lock support	1
12	003-0156	Nut M10	1
13	003-0309	Bolt TE M16x70	1
14	000-6578	Bolt TE M16x45	7
15	000-5581	Nut M16	10
16	008-2403	Front hitch; # 267889 & below	1
	018-2461	Right front hitch EZF-112; # 267890 & above	1
	028-2461	Left front hitch EZF-112; # 267890 & above	1
	018-3012	Right front hitch EZF-115; # 267890 & above	1
	028-3012	Left front hitch EZF-115; # 267890 & above	1
17	008-2422	Rear hitch; # 267889 & below	1
	018-2466	Right rear hitch EZF-112; # 267890 & above	1
	028-2466	Left rear hitch EZF-112; # 267890 & above	1
	018-3022	Right rear hitch EZF-115; # 267890 & above	1
	028-3022	Left rear hitch EZF-115; # 267890 & above	1
18	008-2449	Transport bar EZF-112	1
	008-3048	Transport bar EZF-115	1
19	001-5122	Bolt TE M12x90	6



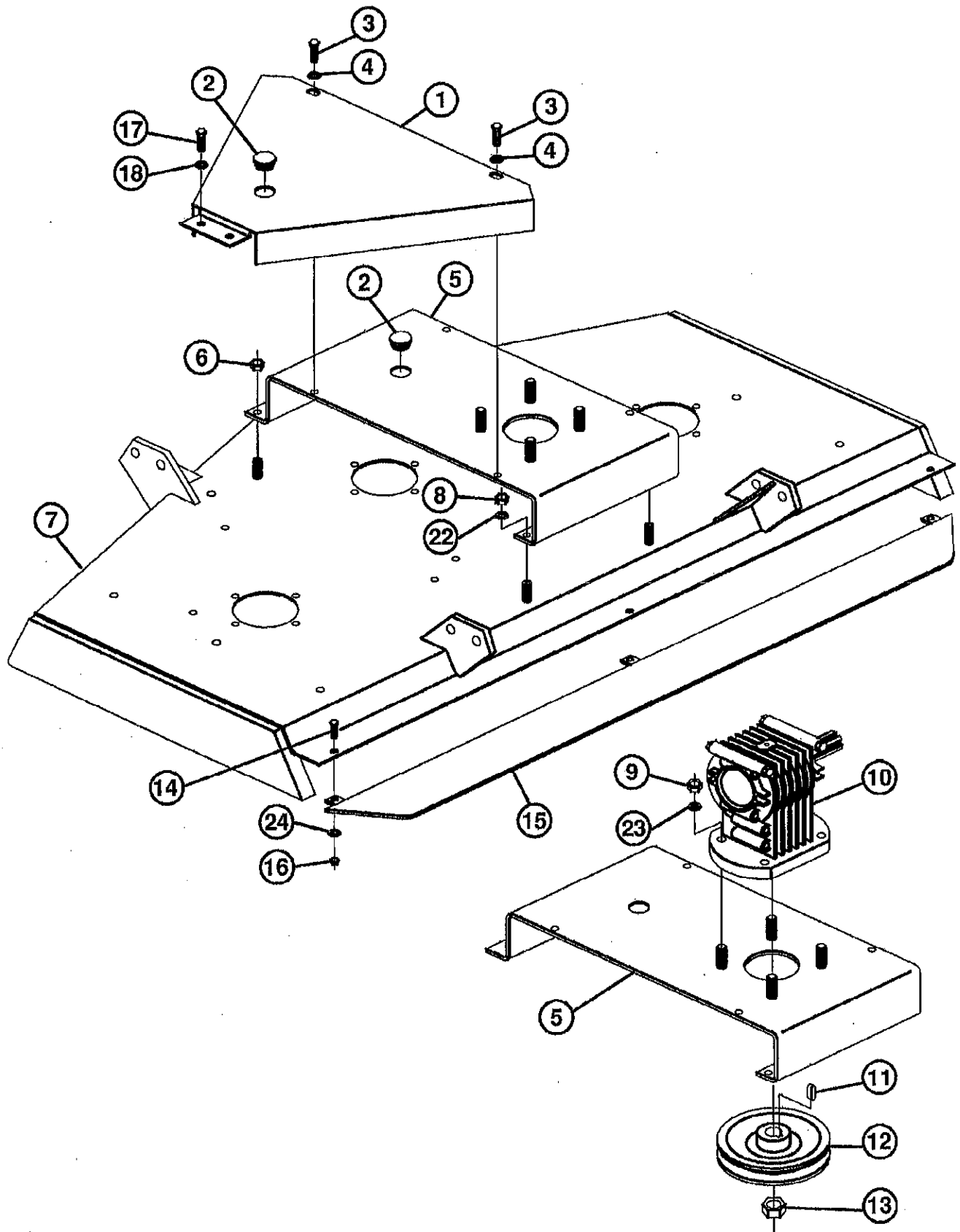
Ref.	Part #	Description	Qty.
1	008-2166	Lift arm EZF-112	2
	008-2758	Lift arm EZF-115	2
2	009-1495	Bolt TE M12x80	2
3	003-0064	Nut M12	8
4	001-5122	Bolt TE M12x90	6
5	008-2174	Lift arm shim	4
6	000-3056	Shim washer	4
7	000-1065	Grease fitting	2
8	005-8333	Coupling pin	2
9	018-2350	Right hitch	1
10	028-2350	Left hitch	1
11	000-6578	Bolt TE M16x45	8
12	000-5581	Nut M16	8
13	008-2176	Coupling plate	4



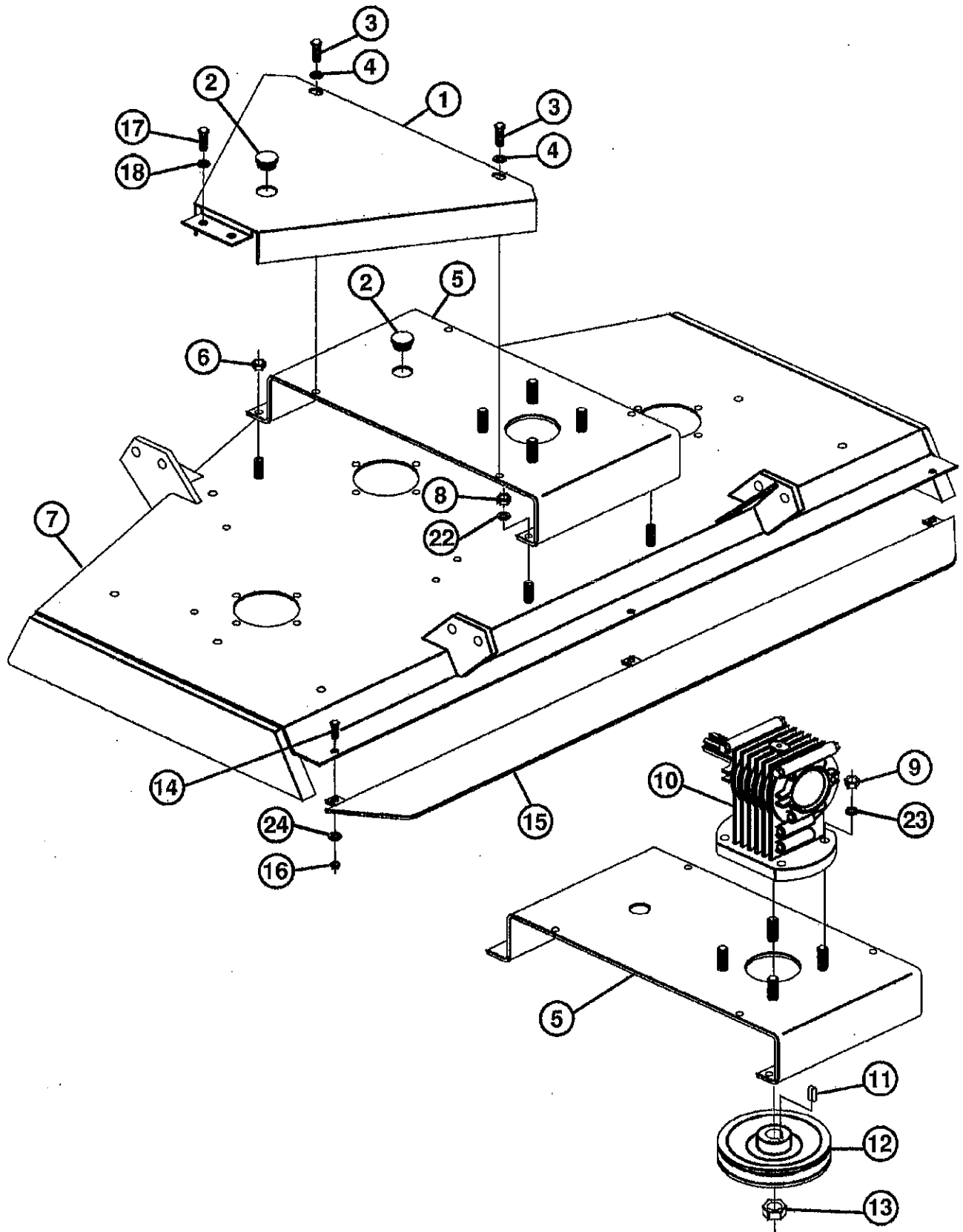
Ref.	Part #	Description	Qty.
1	000-8630	Belt BX 98 (4' deck) EZF-112	1
	000-8670	Belt BX 112 ½ (5' deck) EZF-115	1
2	003-0156	Nut M10	14
3	000-1279	Nut M10	3
4	000-8571	Hitch plate EZF-112	1
	005-1755	Hitch plate EZF-115	1
5	005-1740	Spring	1
6	000-8563	Belt tensioner support; # 267889 & below	1
	005-1741	Belt tensioner support EZF-112; # 267890 & above	1
	005-1745	Belt tensioner support EZF-115; # 267890 & above	1
7	000-8561	Pulley belt tensioner	2
8	000-5507	Nut M20	2
9	009-1281	Bolt TE M10x35	1
10	000-3038	Nut M12	4
11	050-0620	Gearbox; # 263242 & below	1
	050-0654	Gearbox; # 263243 & above	1
12	000-8623	Pulley SPB 250x1	1
13	002-9036	Grease fitting	3
14	000-6698	Nut M25	3
15	000-6639	Key 8x7x25	3
16	000-8531	Pulley SPB 120x1 (4' deck) EZF-112	3
	000-8666	Pulley SPB 130x1 (5' deck) EZF-115	3
17	000-1278	Bolt TE M10x30	12
18	000-6795	Standard blade (4' deck) EZF-112	3
	000-6641	Standard blade (5' deck) EZF-115	3
	000-6795M	Mulching blade (4' deck) EZF-112 - Option	3
	000-6641M	Mulching blade (5' deck) EZF-115 - Option	3
	000-6795B	High lift blade (4' deck) EZF-112 - Option	3
	000-6641B	High lift blade (5' deck) EZF-115 - Option	3
	000-6795F	Low lift blade (4' deck) EZF-112 - Option	3
	000-6641F	Low lift blade (5' deck) EZF-115 - Option	3
	000-6795G	Gator blade (4' deck) EZF-112 - Option	3
	000-6641G	Gator blade (5' deck) EZF-115 - Option	3
19	000-8533	Spindle assembly	3
20	000-8560	Cup washer	3
21	000-6659	Blade bolt	3
22	000-8557	Spindle shaft	3
23	000-8538	Spindle	3
24	003-3176	Bolt TE M10x25	2
25	000-2034	Flat washer Ø10	5
26	000-8663	PTO shield	1
27	004-6555	Flat washer Ø20	3
28	000-5508	Nut M20	1
29	000-8576	Bolt TE M20x65	1
30	000-1077	Lock washer Ø12	4
31	009-1281	Bolt TE M10x35; # 267889 & below	1
	005-1751	Belt tensioner fixing bolt; # 267890 & above	1
32	003-0157	Flat washer Ø10; # 267889 & below	1
	005-1753	Flat washer Ø16; # 267890 & above	1



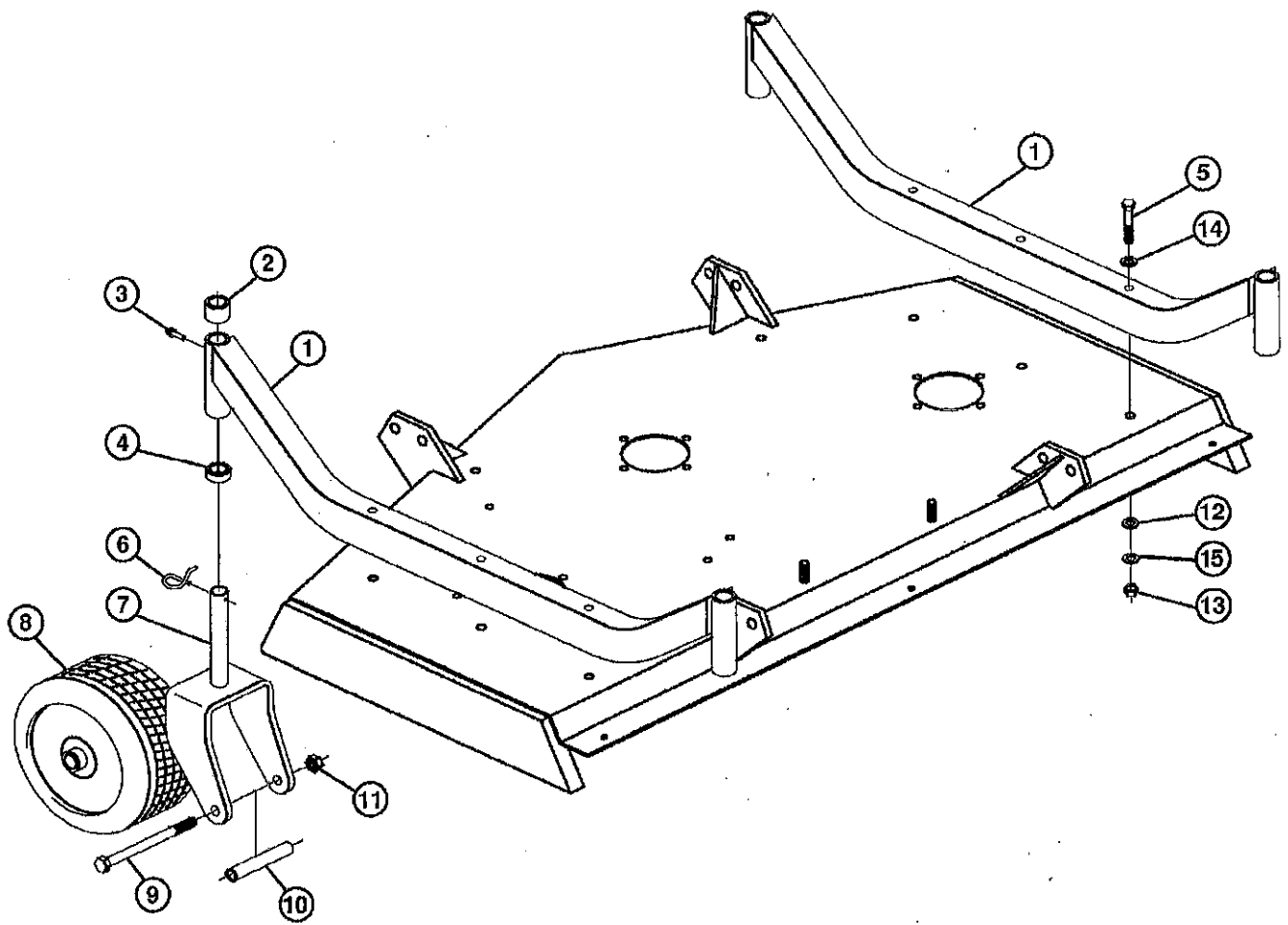
Ref.	Part #	Description	Qty.
1	000-8950	Belt BX 140	1
2	003-0156	Nut M10	14
3	000-1010	Nut M10	3
4	000-8571	Hitch plate; # 267889 & below	1
	005-1757	Hitch plate; # 267890 & above	1
5	005-1740	Spring	1
6	000-8563	Belt tensioner support; # 267889 & below	1
	005-1745	Belt tensioner support; # 267890 & above	1
7	000-8561	Pulley belt tensioner	2
8	000-5507	Nut M20	2
9	009-1281	Bolt TE M10x35	1
10	000-3038	Nut M12	4
11	050-0620	Gearbox; # 263242 & below	1
	050-0654	Gearbox; # 263243 & above	1
12	000-8623	Pulley SPB 250x1	1
13	002-9036	Grease fitting	3
14	000-6698	Nut M25	3
15	000-6639	Key 8x7x25	3
16	000-8881	Pulley SPB 160x1	3
17	000-1278	Bolt TE M10x30	12
18	000-6845	Standard blade (6' deck)	3
	000-6845M	Mulching blade (6' deck) - Option	3
	000-6845B	High lift blade (6' deck) - Option	3
	000-6845F	Low lift blade (6' deck) - Option	3
	000-6845G	Gator blade (6' deck) - Option	3
19	000-8533	Spindle assembly	3
20	000-8560	Cup washer	3
21	000-6659	Blade bolt	3
22	000-8557	Spindle shaft	3
23	000-8538	Spindle	3
24	003-3176	Bolt TE M10x25	2
25	000-2034	Flat washer Ø10	5
26	000-8663	PTO shield	1
27	004-6555	Flat washer Ø20	3
28	000-5508	Nut M20	1
29	000-8576	Bolt TE M20x65	1
30	000-1077	Lock washer Ø12	4
31	009-1281	Bolt TE M10x35; # 267889 & below	1
	005-1751	Belt tensioner fixing bolt; # 267890 & above	1
32	003-0157	Flat washer Ø10; # 267889 & below	1
	005-1753	Flat washer Ø16; # 267890 & above	1



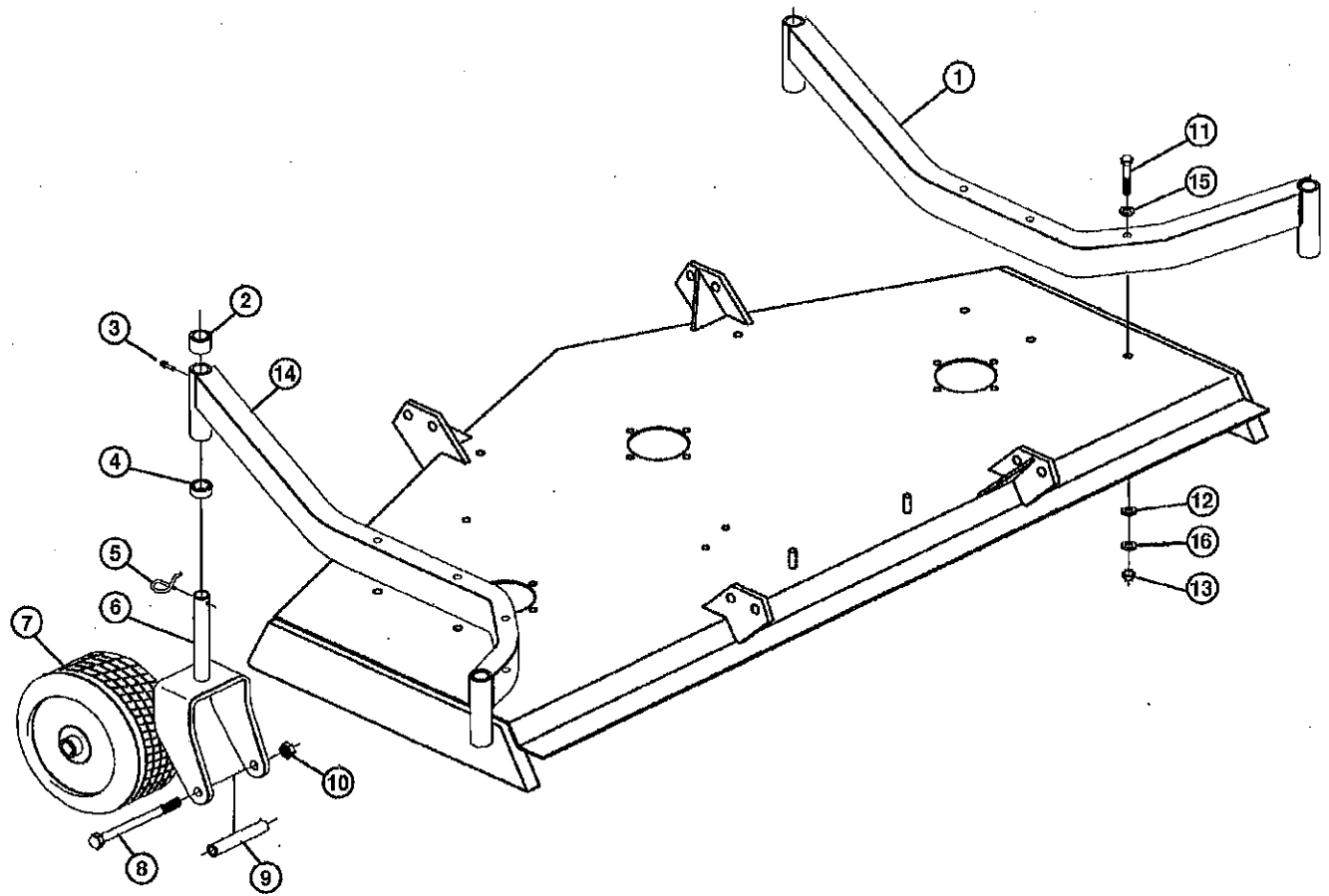
Ref.	Part #	Description	Qty.
1	010-8811	Belt shield EZF-112; # 263242 & below	2
	010-8817	Belt shield EZF-112; # 263243 & above	2
	020-8817	Belt shield EZF-115	2
2	000-6647	Cap	3
3	003-3176	Bolt TE M10x25	4
4	000-2034	Flat washer Ø10	4
5	005-1581	Central plate EZF-112	1
	005-1583	Central plate EZF-115	1
6	003-0156	Nut M10	3
7	015-1501P	Frame EZF-112	1
	025-1501P	Frame EZF-115	1
8	000-1279	Nut M10	2
9	000-3038	Nut M12	4
10	050-0620	Gearbox; # 263242 & below	1
	050-0654	Gearbox; # 263243 & above	1
11	000-6688	Key 8x7x35	1
12	000-8623	Pulley SPB 250x1	1
13	000-6698	Nut M25	1
14	004-6454	Bolt TE M8x16	-
15	005-1858	Side rear protection (5' deck) EZF-115	2
	005-1856	Central rear protection EZF-112 & EZF-115	2
16	000-1806	Nut M8	-
17	002-6185	Bolt TE M10x90	2
18	003-0157	Flat washer Ø10	4
19	000-8818	Bolt TE M10x110	2
20	001-4106	Nut M10	2
21	001-5237	Nut M10	2
22	000-1280	Lock washer Ø10	2
23	000-1077	Lock washer Ø12	4
24	000-3144	Lock washer Ø8	-



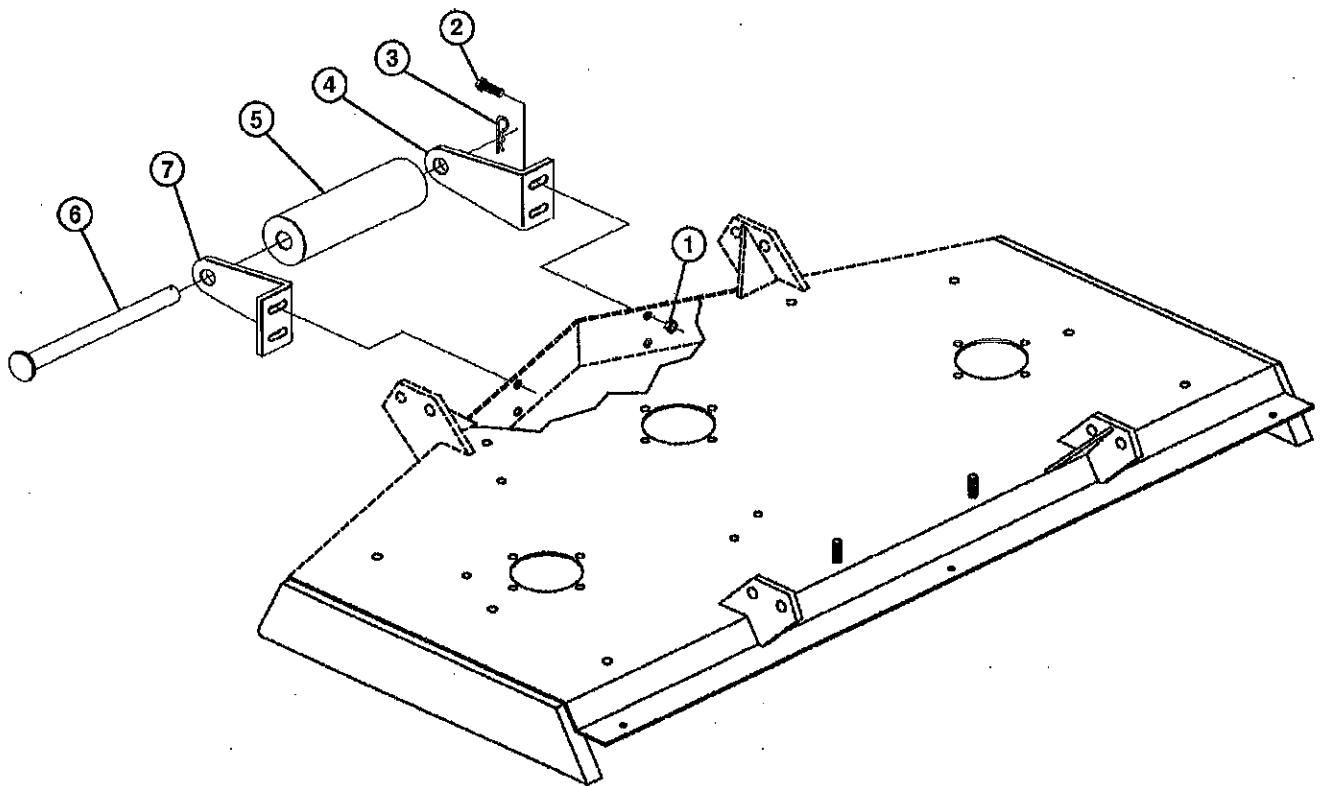
Ref.	Part #	Description	Qty.
1	030-8811	Belt shield (6' deck); # 263242 & below	2
	030-8817	Belt shield (6' deck); # 263243 & above	2
2	000-6647	Cap	3
3	003-3176	Bolt TE M10x25	4
4	000-2034	Flat washer Ø10	4
5	005-1585	Central plate (6' deck)	1
6	003-0156	Nut M10	3
7	035-1501P	Frame (6' deck)	1
8	000-1279	Nut M10	2
9	000-3038	Nut M12	4
10	050-0620	Gearbox; # 263242 & below	1
	050-0654	Gearbox; # 263243 & above	1
11	000-6688	Key 8x7x35	1
12	000-8623	Pulley SPB 250x1	1
13	000-6698	Nut M25	1
14	004-6454	Bolt TE M8x16	3
15	005-1859	Side rear protection (6' deck)	2
	005-1856	Central rear protection	2
16	000-1806	Nut M8	3
17	002-6185	Bolt TE M10x90	2
18	003-0157	Flat washer Ø10	4
19	000-8818	Bolt TE M10x110	2
20	001-4106	Nut M10	2
21	001-5237	Nut M10	2
22	000-1280	Lock washer Ø10	2
23	000-1077	Lock washer Ø12	4
24	000-3144	Lock washer Ø8	3



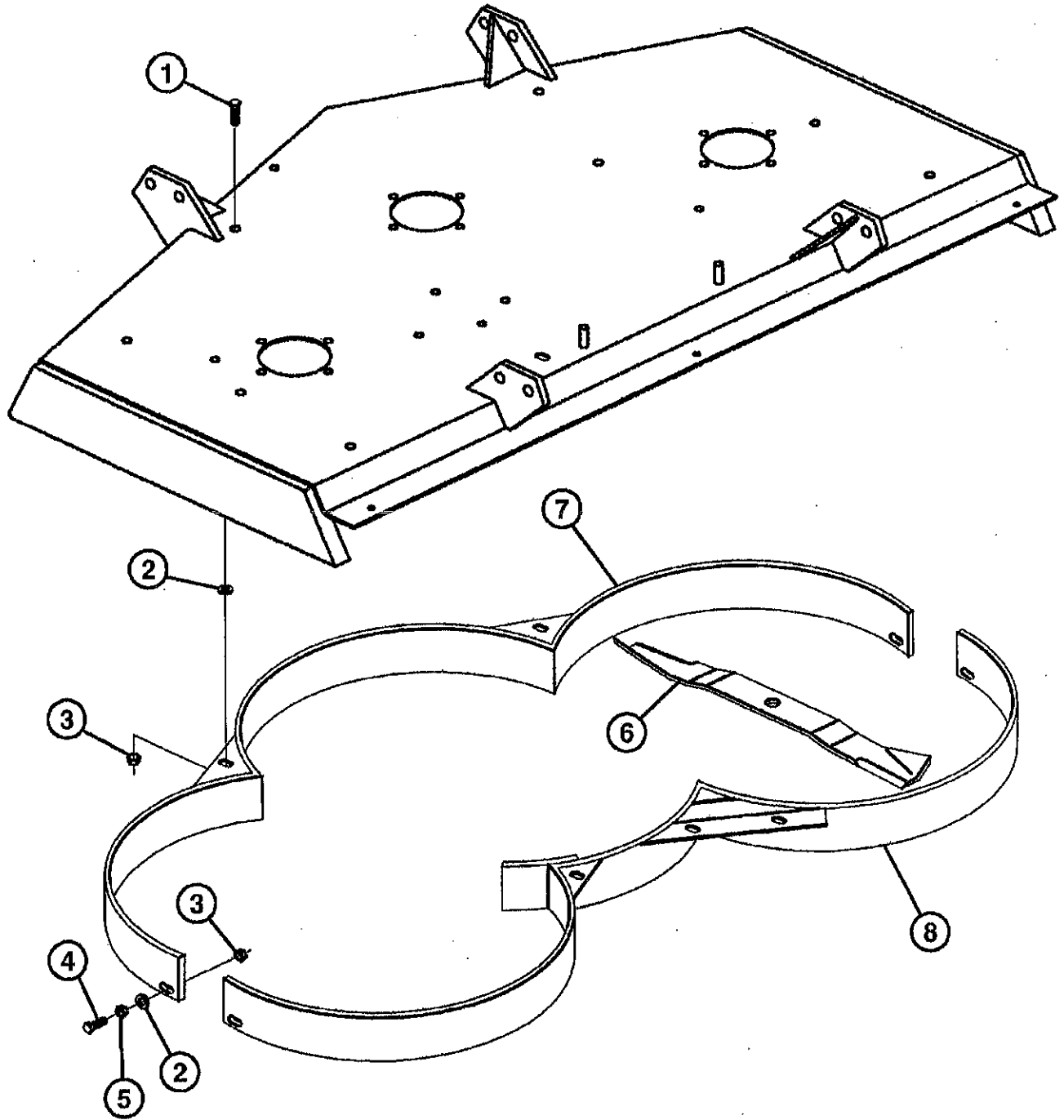
Ref.	Part #	Description	Qty.
1	005-1772	Wheel arm EZF-112	2
	005-1781	Wheel arm EZF-115	2
2	000-6586	Spacer 1"	8
3	000-1065	Grease fitting	4
4	000-6587	Spacer ½"	8
5	002-6185	Bolt TE M10x90	6
6	000-8783	Lynch pin	4
7	000-8785	Wheel yoke	4
8	000-8526	Hard tire	4
	000-8797	Air tire	4
9	000-6615	Bolt TE M14x140	4
10	000-8528	Spacer	4
11	003-0358	Nut M14	4
12	003-0157	Flat washer Ø10	6
13	000-1279	Nut M10	6
14	005-1776	Flat washer Ø10	6
15	000-1280	Lock washer Ø10	6



Ref.	Part #	Description	Qty.
1	018-2333	Wheel arm right	1
2	000-6586	Spacer 1"	8
3	000-1065	Grease fitting	4
4	000-6587	Spacer ½"	8
5	000-8783	Lynch pin	4
6	000-8785	Wheel yoke	4
7	000-8526	Hard tire	4
	000-8797	Air tire	4
8	000-6615	Bolt TE M14x140	4
9	000-8528	Spacer	4
10	003-0358	Nut M14	4
11	002-6185	Bolt TE M10x90	6
12	003-0157	Flat washer Ø10	6
13	000-1279	Nut M10	6
14	028-2333	Wheel arm left	1
15	005-1776	Flat washer Ø10	6
16	000-1280	Lock washer Ø10	6



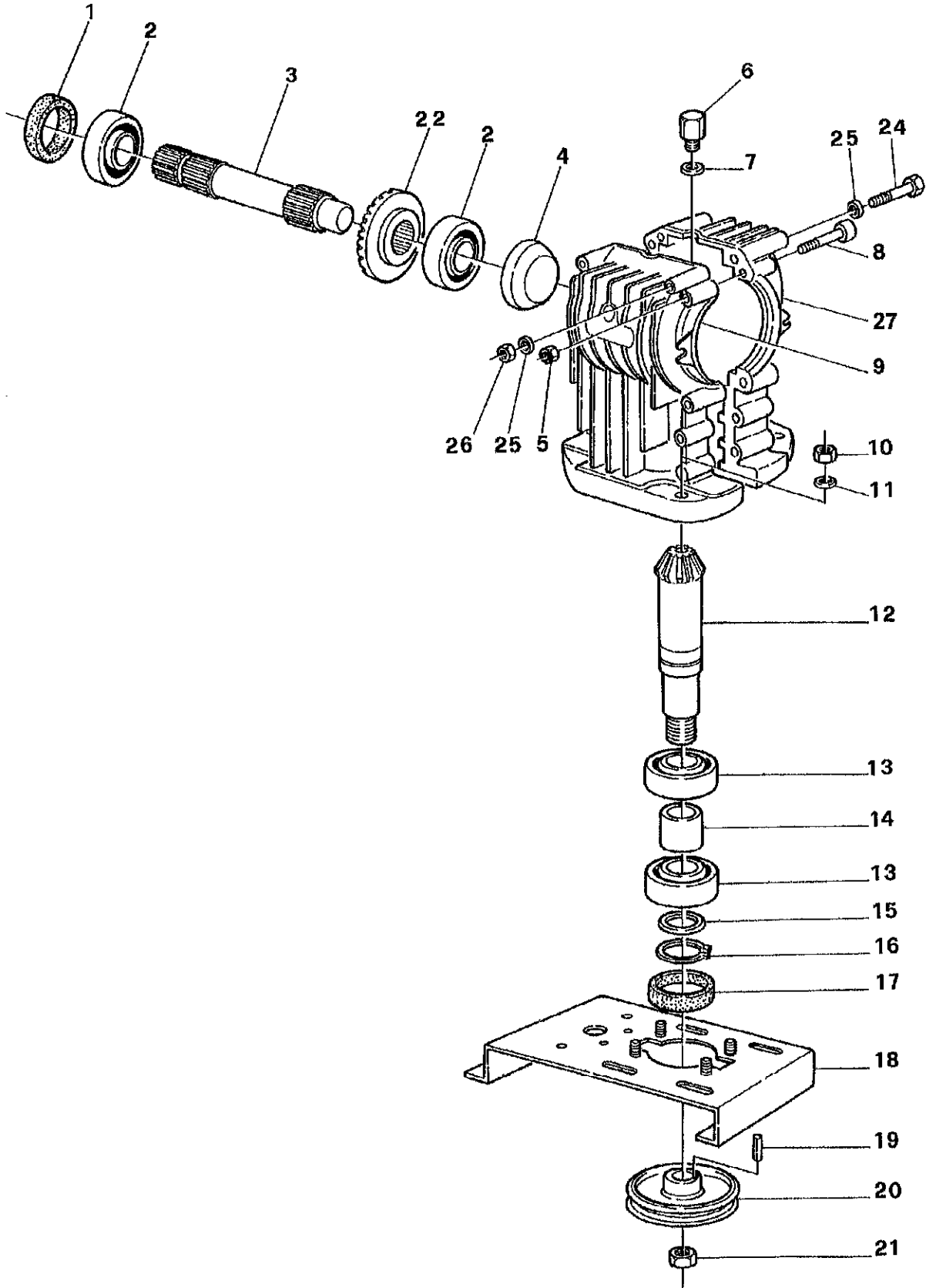
Ref.	Part #	Description	Qty.
1	003-0156	Nut M10	4
2	003-3176	Bolt TE M10x25	4
3	011-2087	Cotter pin Ø4x50	1
4	000-8923	Roller support right	1
5	006-7358	Front roller	1
6	000-8929	Roller pin	1
7	020-8924	Roller support left	1



Ref.	Part #	Description	Qty.
1	000-6349	Bolt TE M10x20	5
2	000-2034	Flat washer Ø10	7
3	003-0156	Nut M10	7
4	009-1281	Bolt TE M10x35	2
5	000-3038	Nut M12	2
6	000-6795M	Mulching blade (4' deck)	3
	000-6641M	Mulching blade (5' deck)	3
	000-6845M	Mulching blade (6' deck)	3
7	000-8755	Baffling front (4' deck)	1
	011-5824	Baffling front (5' deck)	1
	000-8759	Baffling front (6' deck)	1
8	000-8756	Baffling rear (4' deck)	1
	011-5825	Baffling rear (5' deck)	1
	000-8760	Baffling rear (6' deck)	1
	009-9592	Mulching kit complete EZF-112 (Option) ¹	-
	009-9826	Mulching kit complete EZF-115 (Option) ²	-

¹ Comprises 2 mulching kits for 4' side decks (part # 004-600) and 1 mulching kit for 6' rear deck (part # 006-600).

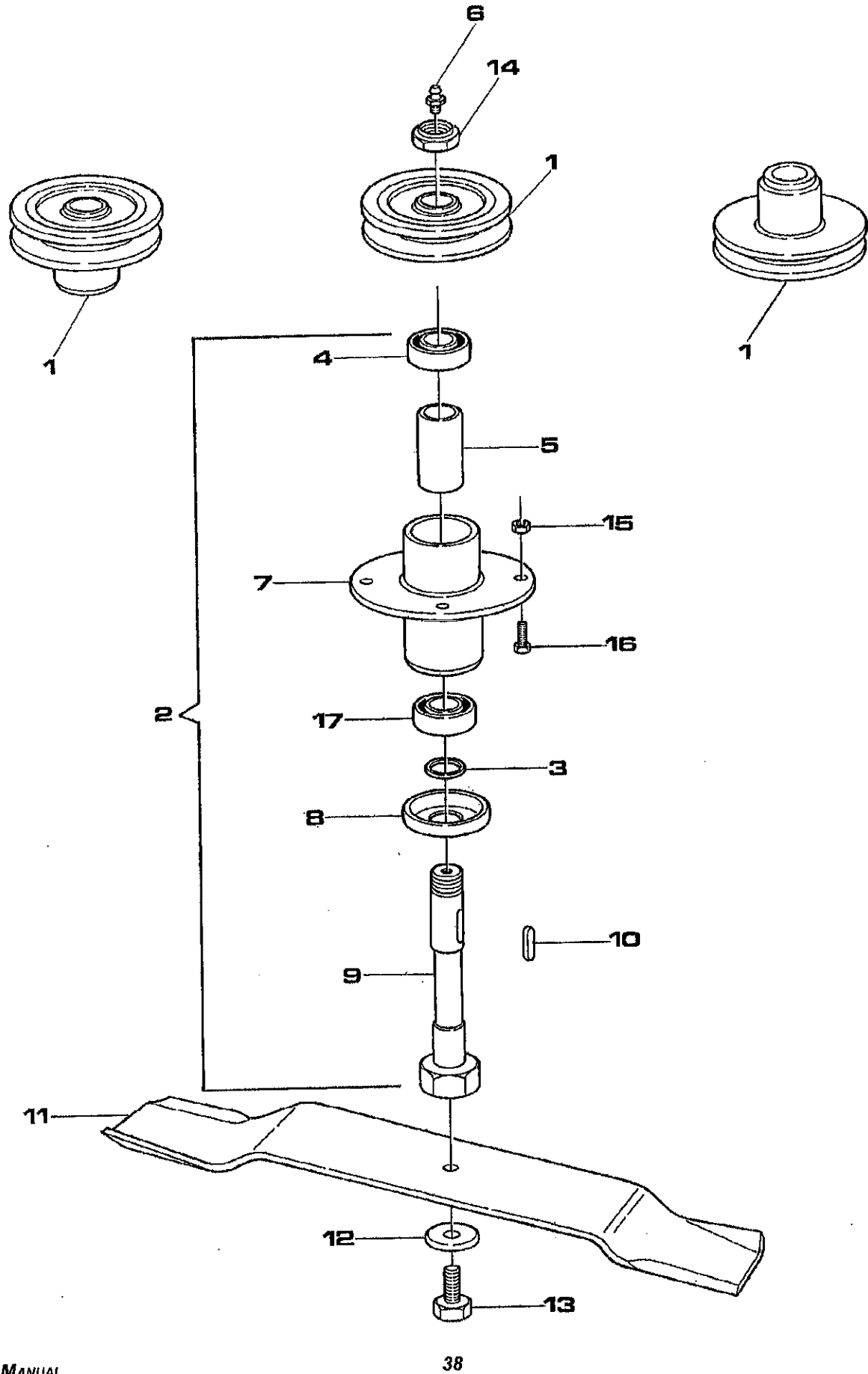
² Comprises 2 mulching kits for 5' side decks (part # 005-600) and 1 mulching kit for 6' rear deck (part # 006-600).



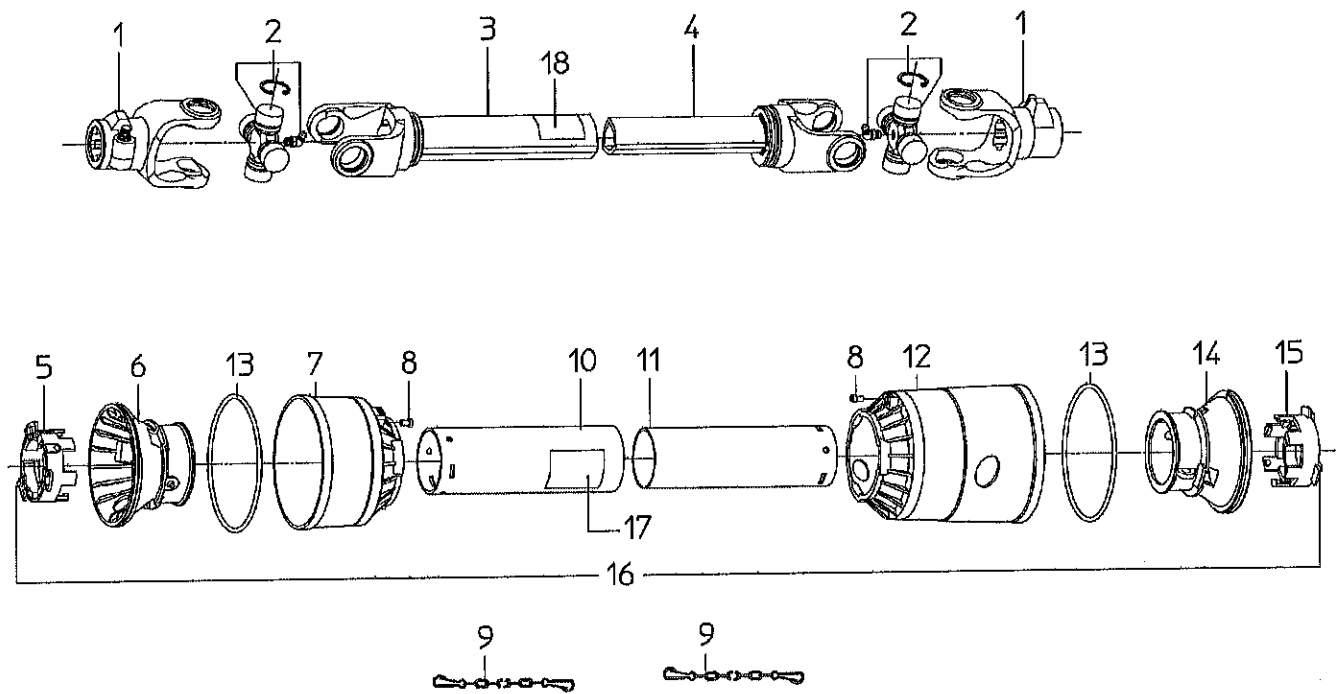
Ref.	Part #	Description	Qty.
1	001-0192	Oil seal 40.68.10	1
2	001-2149	Bearing 6208	2
3	000-8892	Input shaft	1
4	000-8609	Cap	1
5	000-1806	Nut M8	8
6	000-8598	Breather cap; # 263242 & below	1
	001-0177	Breather cap; # 263243 & above	1
7	000-8601	Gasket	1
8	001-0171	Bolt TCEI M8x50	8
9	330-0101	Gearbox housing with central fill hole; # 263242 & below ³	2
	005-1891	Gearbox housing without fill hole; # 263243 & above	1
10	000-3038	Nut M12	4
11	000-1077	Lock washer Ø12	4
12	005-0192	Pinion gear	1
13	002-5332	Bearing 6207	2
14	001-0196	Spacer	1
15	003-4196	Spacer washer	1
16	004-2122	Outer snap ring Ø35	1
17	000-2295	Oil seal 35.62.10	1
18	005-1581	Central plate (4' deck)	1
	005-1583	Central plate (5' deck)	1
	005-1585	Central plate (6' deck)	1
19	000-6688	Key 8x7x35	1
20	000-8623	Pulley SPB 250x1	1
21	000-6698	Nut M25	1
22	000-8893	Ring gear	1
24	001-5263	Bolt TE M10x120	2
25	000-2034	Flat washer Ø10	4
26	003-0156	Nut M10	2
27	005-1892	Gearbox housing with fill hole; # 263243 & above	1
	050-0620	Gearbox complete 540 rpm; # 263242 & below ⁴	1
	050-0654	Gearbox complete 540 rpm; # 263243 & above	1

³ A limited quantity of these gearbox housings is available, after which both left and right housings # 330-0101 need to be replaced with part # 005-1896 and part # 005-1897.

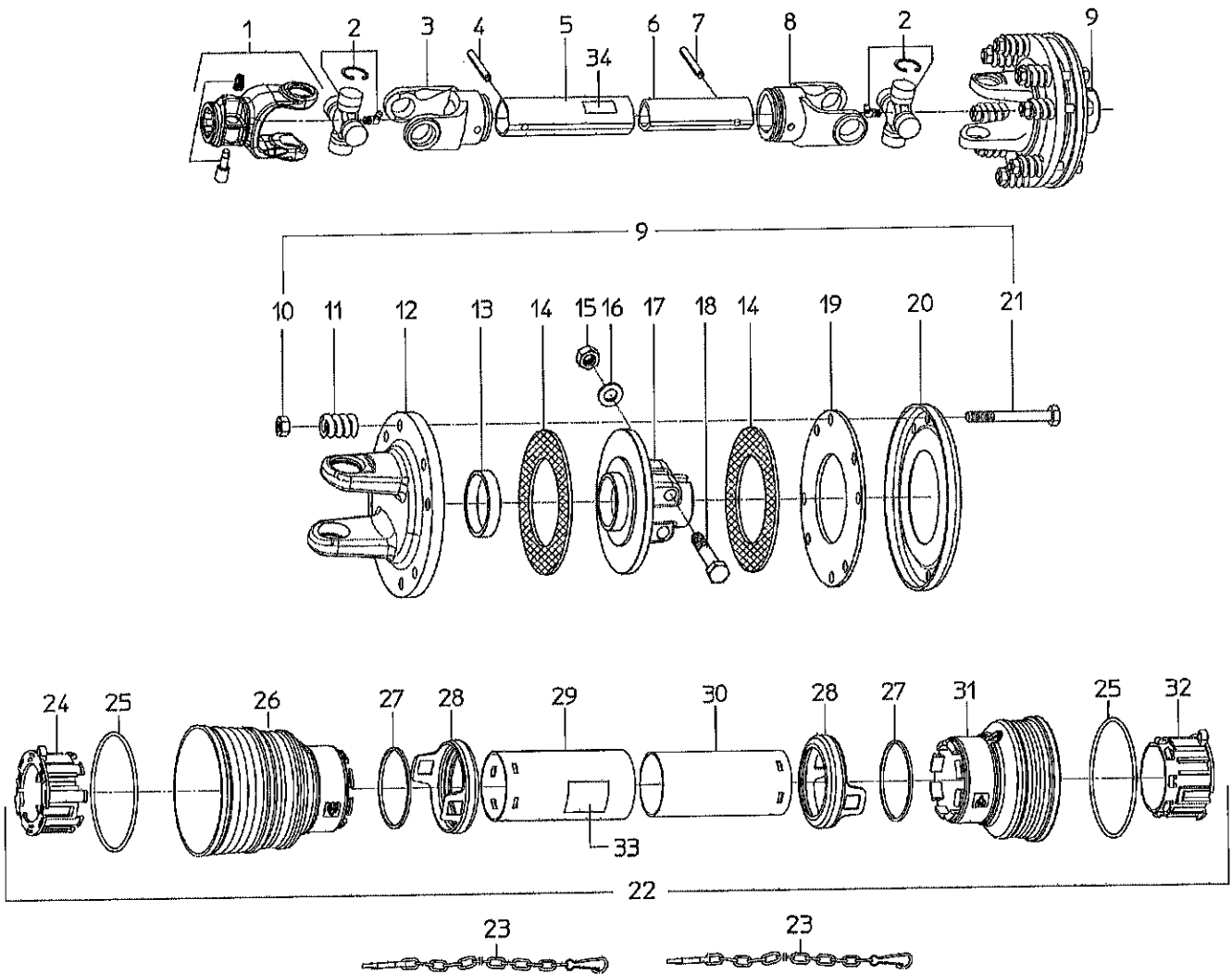
⁴ Gearbox no longer available should be replaced with gearbox # 050-0654.



Ref.	Part #	Description	Qty.
1	000-8531	Pulley SPB 120x1 (4' deck)	3
	000-8666	Pulley SPB 130x1 (5' deck)	3
	000-8881	Pulley SPB 160x1 (6' deck)	3
2	000-8533	Spindle assembly	3
3	000-6606	Spacer washer	3
4	000-6634	Bearing 6205-Z	3
5	000-8536	Spacer	3
6	002-9036	Grease fitting	3
7	000-8538	Spindle	3
8	000-6636	Cover	3
9	000-8557	Spindle shaft	3
10	000-6639	Key 7x8x25	3
11	000-6795	Standard blade (4' deck)	3
	000-6641	Standard blade (5' deck)	3
	000-6845	Standard blade (6' deck)	3
	000-6795M	Mulching blade (4' deck) - Option	3
	000-6641M	Mulching blade (5' deck) - Option	3
	000-6845M	Mulching blade (6' deck) - Option	3
	000-6795B	High lift blade (4' deck) - Option	3
	000-6641B	High lift blade (5' deck) - Option	3
	000-6845B	High lift blade (6' deck) - Option	3
	000-6795F	Low lift blade (4' deck) - Option	3
	000-6641F	Low lift blade (5' deck) - Option	3
	000-6845F	Low lift blade (6' deck) - Option	3
	000-6795G	Gator blade (4' deck) - Option	3
	000-6641G	Gator blade (5' deck) - Option	3
	000-6845G	Gator blade (6' deck) - Option	3
12	000-8560	Disc spring	3
13	000-6659	Blade bolt	3
14	000-6698	Nut M25	3
15	003-0156	Nut M10	12
16	000-1278	Bolt TE M10x30	12
17	000-6626	Bearing 6205-ZZ	3



Ref.	Part #	Description	Qty.
1	1022010C	PTO yoke	2
2	1002020C	Cross and bearing	2
3	1942045NC	Outer tube	1
4	1952047NC	Inner tube	1
5	1782210C	Outer locking ring	1
6	1784201C	Outer tube rigid cone	1
7	1784203C	Standard cone	1
8	1784212C	Pin	2
9	1006065C	Chain	2
10	1773043C	Female tube shield	1
11	1872043C	Male tube shield	1
12	1784205C	Long cone	1
13	1213233C	Stiffening ring	2
14	1784202C	Inner tube rigid cone	1
15	1782211C	Inner locking ring	1
16	90SL2043C	Complete shielding	1
17	950-463B	Decal "DANGER - Rotating driveline, keep away" outer shield	1
18	950-464B	Decal "DANGER - Guard missing, do not operate" outer tube	1
	050-0402	Driveline complete	-



Ref.	Part #	Description	Qty.
1	1026010C	PTO yoke	1
2	1006020C	Cross & bearing	2
3	1706027C	Female yoke	1
4	003-2204	Roll pin Ø10x80	1
5	1528048C	Female shaft	1
6	1526048C	Male shaft	1
7	000-016E	Roll pin Ø10x70	1
8	1706029C	Male yoke	1
9	1346018C	Complete slip clutch	1
10	003-0156	Nut, PT M10-1.50 C6 ZC	8
11	1215012C	Spring	8
12	1706005C	Yoke slip clutch	1
13	1705009C	Bushing	1
14	1805010C	Friction disc	2
15	000-1075	Nut, HH M12-1.25 C6 ZC TK	2
16	000-1077	Washer, lock M12 ZC	2
17	1705005C	Body slip clutch	1
18	000-5672	Bolt, HH M12-1.25x70 C 8.8 Z P	2
19	1135008C	Inner disc	1
20	1135007C	Pressure disc	1
21	001-9360	Bolt, HH M10-1.50x85 C 8.8 Z P	8
22	90SC6038C	Complete shielding	1
23	1006065C	Chain	2
24	1786710C	Outer tube locking ring	1
25	1215733C	Stiffening ring	2
26	1785703C	Standard cone	1
27	1215735C	Stop ring	2
28	1885709C	Safety sleeve	2
29	1776038C	Female tube shield	1
30	1877038C	Male tube shield	1
31	1785702C	Extra short cone	1
32	1786711C	Inner tube locking ring	1
33	950-463B	Decal "DANGER - Rotating driveline, keep away" outer shield	1
34	950-464B	Decal "DANGER - Guard missing, do not operate" outer tube	1
	050-0427	Driveline w/slip clutch complete	-

Use only original spare parts

All rights reserved. It is unlawful to copy, reprint or use any of the information or details in this manual without the expressed written permission of the Company. Technical information provided in this manual is approximate, the Company reserves the right to modify or improve the models shown for technical or commercial purposes. Pictures in this manual do not necessarily show the machine as delivered.

BEFCO PM 112, 115-EZF (US)
Printed in the USA, May 22, 2009

BEFCO[®]

P.O. Box 6036
Rocky Mount, NC 27802-6036
Tel.: 252.977.9920 - Fax: 252.977.9718
www.befco.com

